



allanblock.com

AB Fence Tech Sheet

Building Corners with AB Fence

Tech Sheet #2005



Using the AB Fence Corner Block

The AB Corner Post Block for the AB Fence system allows you to turn 90 degree corners without cutting AB Fence Post Block.

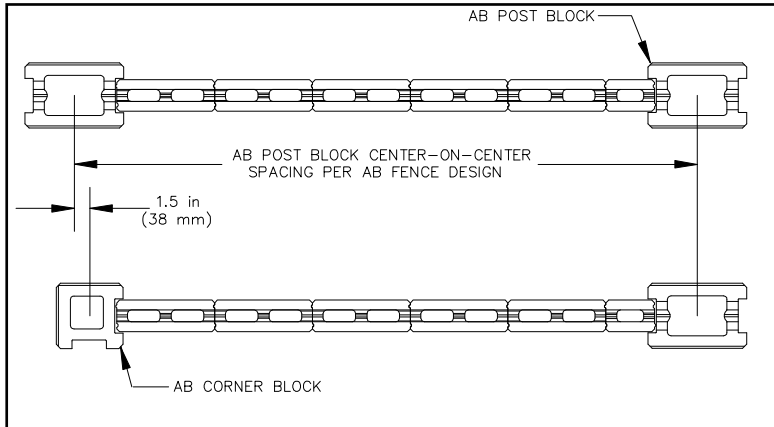


Figure 1: Center on Center Spacing

Layout of the Corner Block

The first step in the layout process is to mark the center of each pile per the requirements of the AB Fence design. It is important to make sure these locations are marked accurately with appropriate offsets. AB Fence designs will give a center-on-center distance between the post locations to follow. However, the AB Fence Corner Block is not the same dimensions as the AB Fence Post Block and the center-on-center spacing needs to be modified. In general, for each corner location the center-on-center spacing needs to be reduced by 1.5 in. (38 mm) (Figure 1). If AB Fence Corner Blocks are used on both ends of a panel, the center-on-center spacing is 3 in. (76 mm) shorter than if two AB Fence Post Blocks were used.

Spacing Jig and Reinforcement Location

Similar to the spacing jig depicted in the AB Fence Installation Manual, the corner jig is used to set the exact relative spacing between each AB Fence Post and AB Fence Corner (Figure 2). The same panel spacer is used for both the AB Fence Post and AB Fence Corner layout.

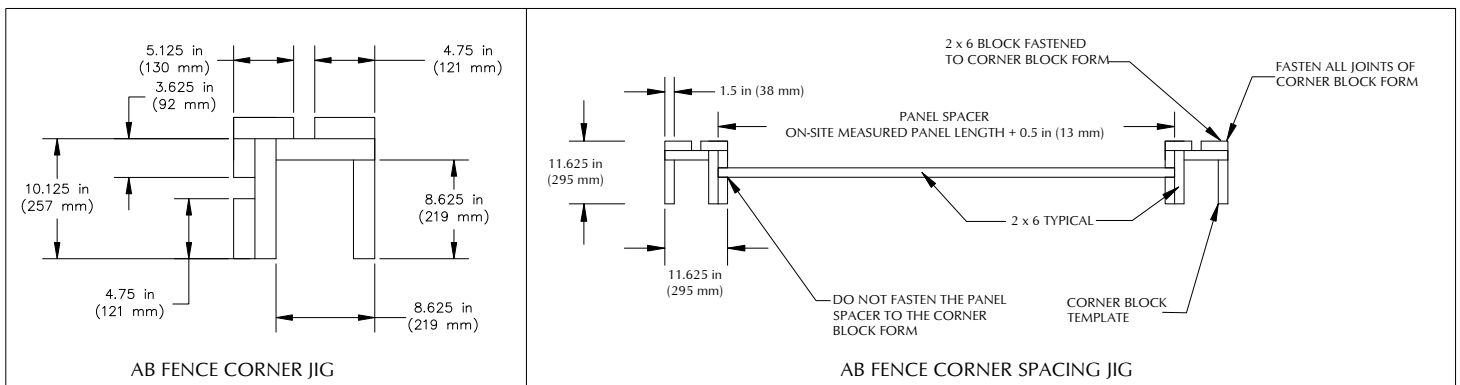


Figure 2: AB Fence Corner Spacing Jig



allanblock.com

AB Fence Tech Sheet

Building Corners with AB Fence

Tech Sheet #2005

By marking the corner post template similar to Figure 3, the reinforcing steel locations are determined after the concrete has been placed in the pile footings. The optional rebar alignment plate can be used for increased accuracy of bar placement.

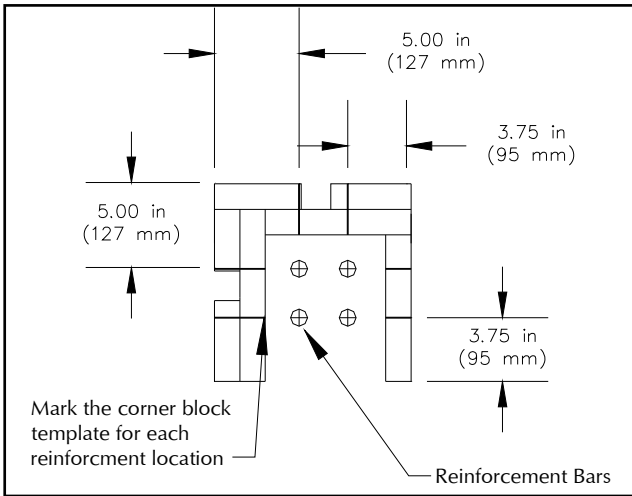


Figure 3: Corner Pile Steel Placement Template

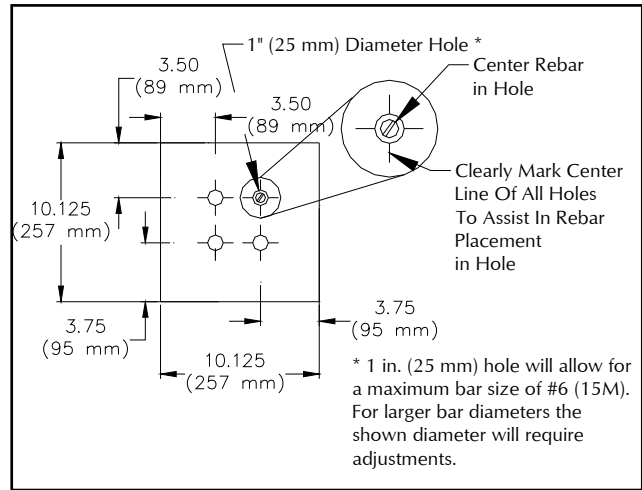


Figure 4: Optional Alignment Plate

Capping the AB Fence Corner Block

A manufactured corner cap does not exist for corner blocks. Capping the AB Fence Corner Block requires miter cutting two AB Fence Cap units as shown in the pictures to the right.

Corner caps can be easily constructed by cutting standard AB Fence Cap Blocks with a masonry saw and securing them with construction adhesive. It takes two AB Fence Caps to create one Corner Cap. The cut lines and assembly of the two pieces are shown in Figure 5.

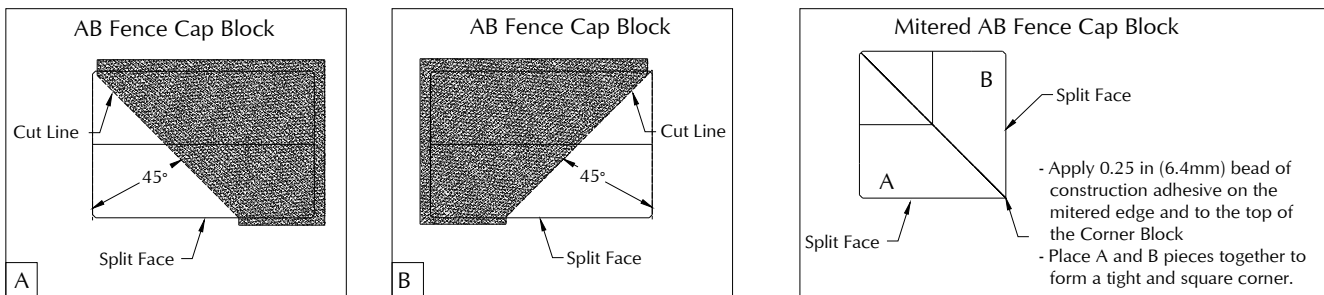


Figure 5: Miter Cutting Fence Corner Caps



allanblock.com

AB Fence Tech Sheet

Building Corners with AB Fence

Tech Sheet #2005

Miter Cutting Standard AB Fence Post Block

When an AB Fence Corner Post is not available, corners must be manually made by miter cutting 2 Standard AB Fence Post Block per course. AB Fence Standard Post Block can be cut to fit an infinite number of angles. Figure 6 below shows a 90 degree mitered corner and Figure 7 shows a 45 degree corner, the two most common mitered corners. For any other desired angle, the dimensions and cut angles will need to be determined. Cutting AB Cap units to fit the mitered corners is similar to that described above; use two AB Cap Units and the same cut dimension and angle used for the mitered AB Standard Post Block. When grouting a mitered post, the installer should take extra care to ensure the two halves remain tight together. Often, temporary banding is placed around the courses prior to placing the concrete.

