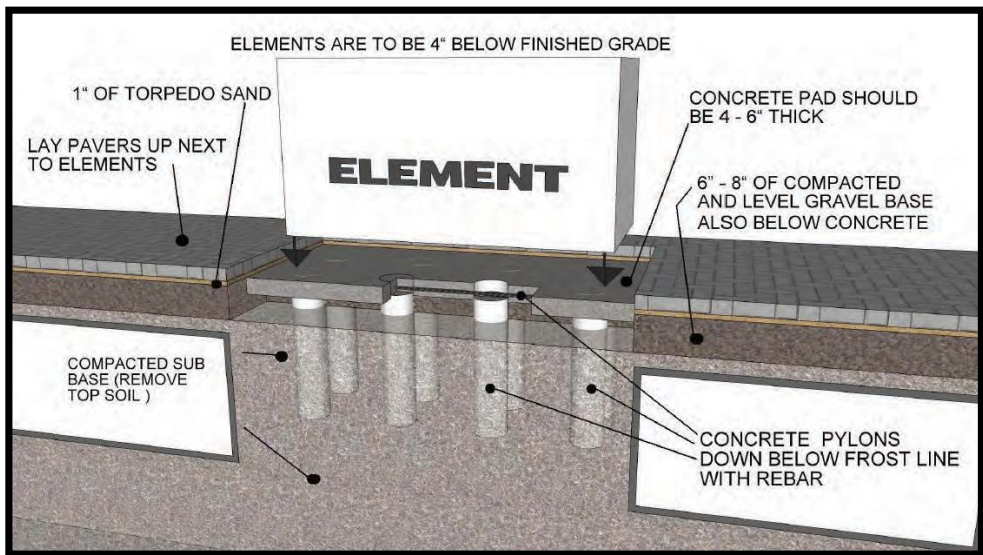


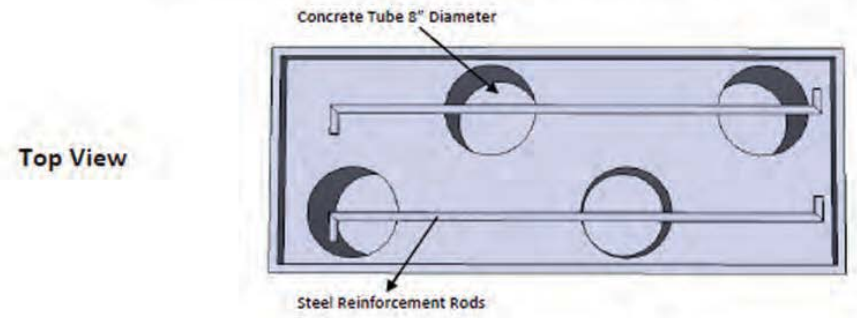
Overview

Belgard Elements are very easy to install. Here are a couple cross section details to consider. Keep in mind, these are not engineered plans. Make sure you check with your local municipality for any additional bylaws and requirements prior to installing Elements. Here are a few other key points to remember:

- Always place a piece of material (plywood or carpet work well) between your forks and the Belgard Element to prevent chipping
- Always transport the Belgard Element on the pallet it comes with until you are ready to place on the permanent location
- Make sure to use a ratchet strap to secure the Belgard Element to the loader when transporting and placing
- Handle Belgard Elements with care - they are concrete, but not indestructible
- Make sure to size the machine to the Belgard Elements weight
- All Belgard Elements are designed to be buried 4" below finish grade



Concrete Pad Installation



Typical Cross Section for Concrete Pad Installation

- The following measurements are a suggestion. Be sure to check with your local building codes.

